

**ADDENDUM NO. 1**  
**Maple Heights Salt Storage Facility**  
**City of Maple Heights, Ohio**  
**October 12, 2016**

The following revisions and information are made part of this addendum and are made part of the Bid Package/Contract documents.

**BID OPENING DATE REVISION**

Sealed bids will be received by the Purchasing Agent, at Maple Heights City Hall, 5353 Lee Road, Maple Heights, Ohio 44137, until **12:00 Noon, local time, on the 17th day of October, 2016** for the “MAPLE HEIGHTS SALT STORAGE FACILITY” in the City of Maple Heights, Ohio, **NO FAXED COPIES ACCEPTED.**

- 1.) Replace sheet **LA-1** with sheet **LA-1 (Rev. 1)** enclosed

**DETAILED SPECIFICATIONS (DS) REVISION**

- 1) Replace sheet **DS-8** with sheet **DS-8 (Rev. 1)** enclosed.

Added material specification for brackets, straps, bracing, anchors, or miscellaneous hardware that may be required as a component of the final design. Added language to reiterate the requirement for a Professional Engineer in designing the pre-cast concrete block foundation wall. (Revisions are underlined)

**PLAN AND DETAIL SHEETS REVISION**

- 1) Replace **Sheet 2 of 3** of the Plan and Detail Sheets with **Sheet 2 of 3 (REV 1 – 10-11-16)** enclosed.

Additional pre-cast block has been added to the base of the pre-cast block wall detail as this is likely to be required to provide overturning resistance. Straps and brackets have also been added as they are likely to be required for stability.

Dimensions for the cast in place alternate have been revised to reflect the requirement for a minimum 3'-0" footing depth.

**Attachments –4 (including this sheet)**

**THIS ADDENDUM MUST BE SIGNED AND INCLUDED WITH YOUR BID.**

---

**Bidder's Signature**

---

**Company Name**

## LEGAL ADVERTISEMENT

By order of the Council of the City of Maple Heights, sealed bids will be received by the Purchasing Agent, at Maple Heights City Hall, 5353 Lee Road, Maple Heights, Ohio 44137, until 12:00 Noon, local time, on the 17<sup>th</sup> day of October, 2016 for the "**MAPLE HEIGHTS SALT STORAGE FACILITY**" in the City of Maple Heights, Ohio, NO FAXED COPIES ACCEPTED.

Plans and complete specifications may be procured at the office of Chagrin Valley Engineering, Ltd., 22999 Forbes Road, Suite B, Cleveland, Ohio 44146. Bidders shall deposit the sum of \$100.00 for the plans and specifications. This sum is not refundable. Checks shall be made payable to: Chagrin Valley Engineering, Ltd.

Each bidder is required to furnish with its proposal, a Bid Guaranty and Contract Bond in accordance with Section 153.54 of the Ohio Revised Code. Bid security furnished in Bond form, shall be issued by a Surety Company or Corporation licensed in the State of Ohio to provide said surety. Each bid must be made upon the Proposal Form provided in the set of specifications and must be accompanied by a bank check or cashier's check drawn on a solvent bank in Cuyahoga County in an amount equal to ten percent (10%) of the amount bid, or a bid bond in the amount of one hundred percent (100%) of the amount bid, as a guarantee that if said bid is accepted, a contract will be entered into and a Surety Bond satisfactory to said City in an amount equal to 100% of the total bid will be furnished. Checks shall be made payable to the City of Maple Heights, Ohio.

Each Proposal must contain the full name of the party or parties submitting the proposal and all persons interested therein. Each bidder must submit evidence of its experiences on projects of similar size and complexity.

Bids will be opened and read at the time and place stated above. Those who submitted Proposals or their representatives are invited to attend.

Bidders must comply with the prevailing wage rates on Public Improvements in Cuyahoga County and the City of Maple Heights, Ohio, as determined by the Ohio Bureau of Employment Services, Wage and Hour Division, (614) 644-2239.

The right is reserved to accept any bidder, to reject any or all bids, and to waive informalities should it be deemed to be in the best interest of the City of Maple Heights to do so.

Bids are to be submitted in accordance with the plans and specifications on file in the office of the Financed Director. Sealed bids must be marked, "**MAPLE HEIGHTS SALT STORAGE FACILITY**"

PUBLISHED: Neighborhood News  
September 28, 2016  
October 5, 2016

D. William Weber  
Interim Finance Director  
Maple Heights, Ohio

## PRE-CAST CONCRETE BLOCK FOUNDATION WALL - ITEM 6

### DESCRIPTION

This item shall consist of the furnishing and construction of a precast concrete block wall to serve as the foundation for the prefabricated truss arch structure as shown on the plans or as approved by the Engineer. The final design/layout of the Pre-cast Concrete Block Wall and Foundation for the Salt Storage Facility shall be prepared by an Ohio licensed Professional Engineer and is included in the cost of performing this item.

### MATERIALS

Precast Concrete Blocks— 2' x 2' x 6' pre-cast concrete block

Subbase – #57 Aggregate

Brackets, Straps, Bracing, Anchors, or Miscellaneous Hardware - Galvanized steel or Stainless Steel per approved design prepared by Ohio licensed Professional Engineer

### PERFORMANCE

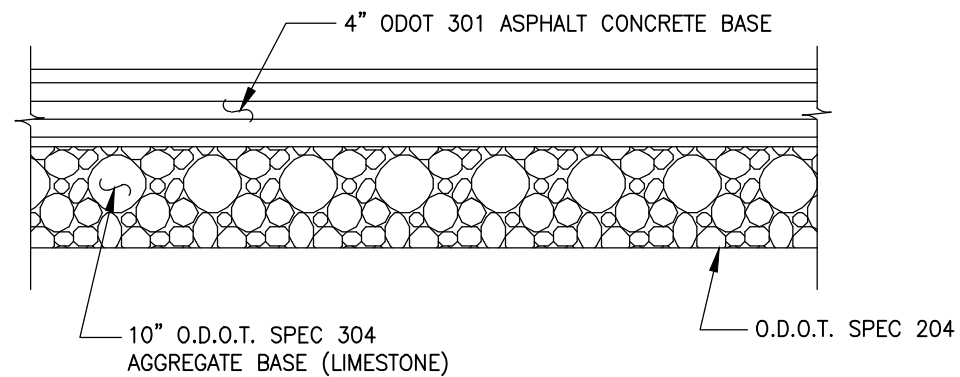
- Contractor shall provide engineered design drawings, stamped by an Ohio licensed Professional Engineer, for both the prefabricated truss arch structure, the wall and foundation system, and all appurtenant components to be used in the construction of the proposed salt storage facility. Engineering design shall comply with Ohio Building Code Sections 3102 –Membrane Structures and all local ordinances as required by the Maple Heights Building Department.

- Construction shall be in conformance with the final design drawings, manufacturers recommended practices and all local ordinances as required by the Maple Heights Building Department. **The pre-cast concrete block wall details that have been included as part of the contract documents are provided for illustrative purposes only. The final design/layout of the Pre-cast Concrete Block Foundation Wall for the Salt Storage Facility shall be prepared by an Ohio licensed Professional Engineer and is included in the cost of performing this item. No additional compensation shall be granted for additional quantities of pre-cast concrete block or any appurtenant items that are required for the final design to meet the Ohio Building Code or other pertinent codes/regulations.**

### MEASUREMENT AND PAYMENT

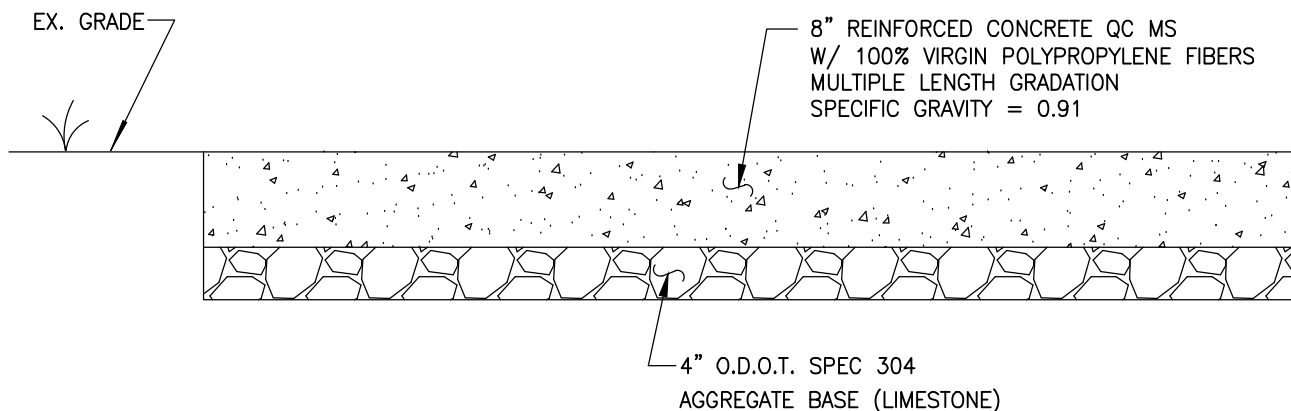
The pre-cast concrete block foundation wall, complete as shown on the plan prepared by an Ohio licensed Professional Engineer, and approved by the City Engineer, shall be paid as a lump sum amount. This payment shall include the cost of plan preparation by an Ohio licensed Professional Engineer

Accepted quantities shall be paid for at the unit price bid, which price and payment shall be full compensation to complete this item as specified.



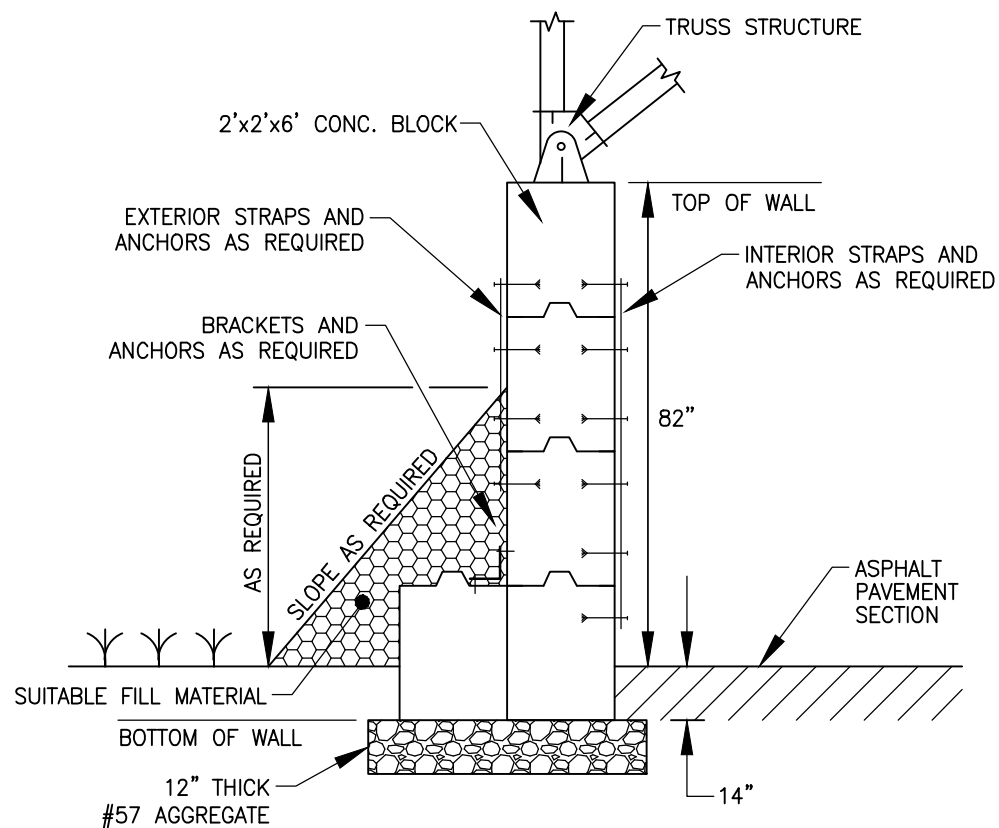
**ASPHALT PAVEMENT SECTION**

N.T.S.



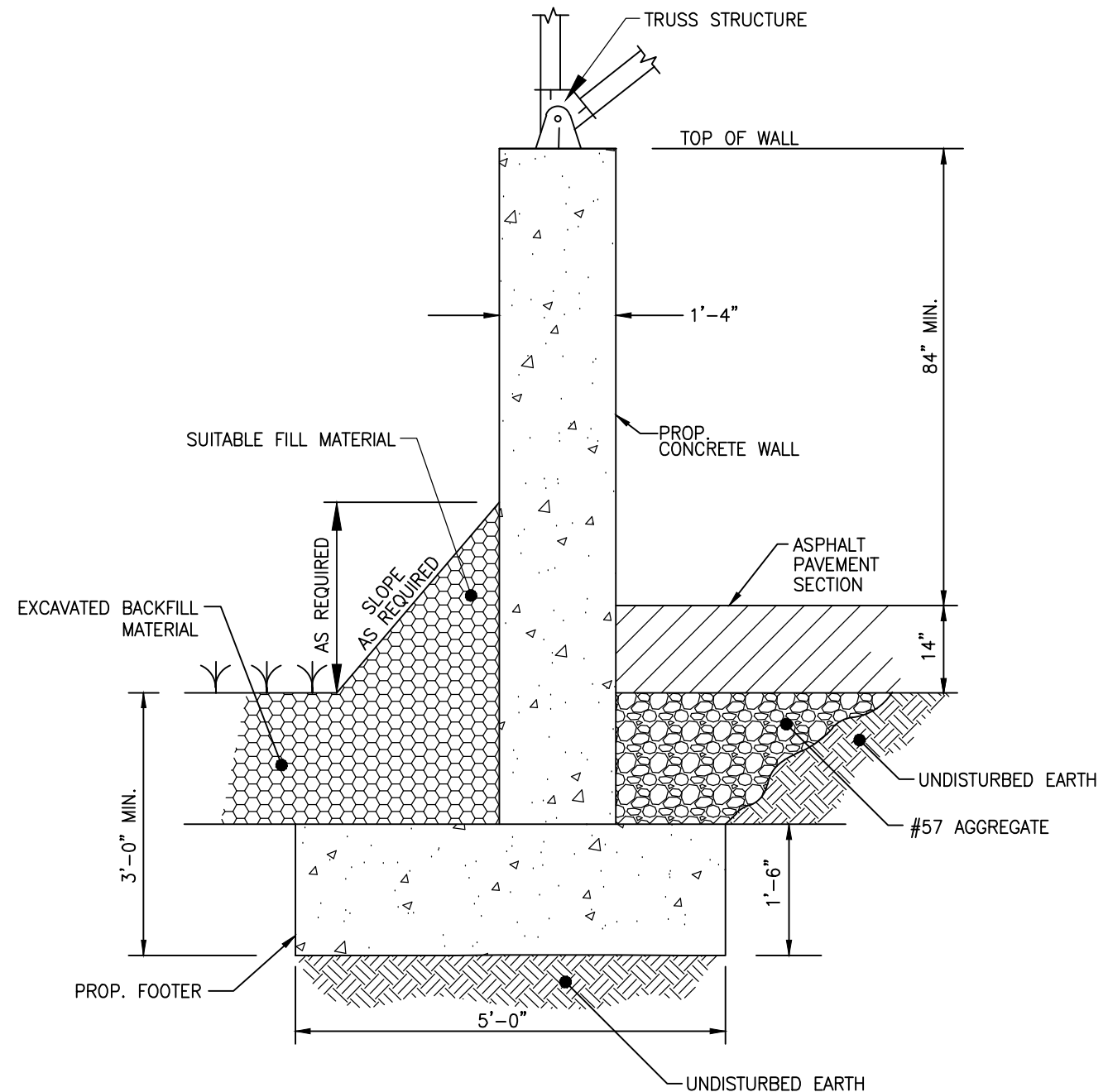
**CONCRETE PAD (ALTERNATE)**

N.T.S.



**PRE-CAST BLOCK WALL DETAIL**

N.T.S.



**CONCRETE WALL DETAIL (ALTERNATE)**

N.T.S.

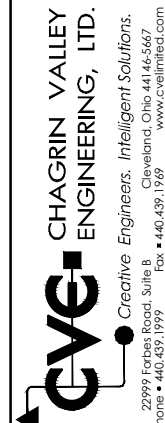
NOTE: WALL AND FOUNDATION TO BE DESIGNED BY A LICENSED ENGINEER

10/12/16 ADDENDUM #1

DETAILS

**MAPLE HEIGHTS SALT STORAGE FACILITY**

CITY OF MAPLE HEIGHTS  
COUNTY OF CUYAHOGA  
STATE OF OHIO



DESIGNED BY: BKG  
DRAWN BY: TPM  
CHECKED BY: EJM  
DATE: 09/29/16  
SCALE: AS NOTED  
SCALE:

PROJECT NUMBER  
**16268**  
Drawing Name